



User Guide Standards

**VENUS_ Driving Board and
39.6" Prism Display**



Table of Contents

1	Hardware Requirements.....	1
(1)	PACKAGE CONTENTS.....	1
(2)	VENUS Specification	2
(3)	Prism product Specification.....	3
2	Hardware Guide	3
(1)	HARDWARE REQUIREMENTS.....	3
(2)	VENUS Kit Hardware Description	4
3	VENUS FUNCTION BLOCK	8
4	How to connect prism product and VENUS	8
(1)	Prism product connection for blinking mode.....	8
(2)	Prism product connection for waving mode	9
5	Contact Information	9
6	Legal Information	9

1 Hardware Requirements

E Ink's VENUS demo kit is intended to highlight the features and benefits of the Prism display. This low power display uses E Ink technology allow to show two color states – color and white. This document will provide details on how to connect Prism film and controller.

(1) PACKAGE CONTENTS

This VENUS demo kit contains the following:

- VENUS Driving board
- DC power cable, (Center conductor $\Phi = 2.1\text{mm}$, Outer conductor $\Phi = 5.5\text{mm}$)
- 2-pin wires x 2pair
- DC 15V adapter
- Standard prism product



VENUS



Power cable



2Pin wires



DC 15V adapter



Prism product

(2) VENUS Specification

VENUS Specification

Features		Venus
Output channels (16 pins)	Segment channels (2 pins per channel)	8
	Waving channels (4 pins per channel)	4
Film connector		2x8 header pin
Driving power (mA) (per pin)		8.8
Input voltage		DC 15V
Output voltage		0V, +15V
Current consumption		3mA @ DC 15V
Computer Connection		RS-485
Outline dimension		4cm X 4cm

(3) Prism product Specification

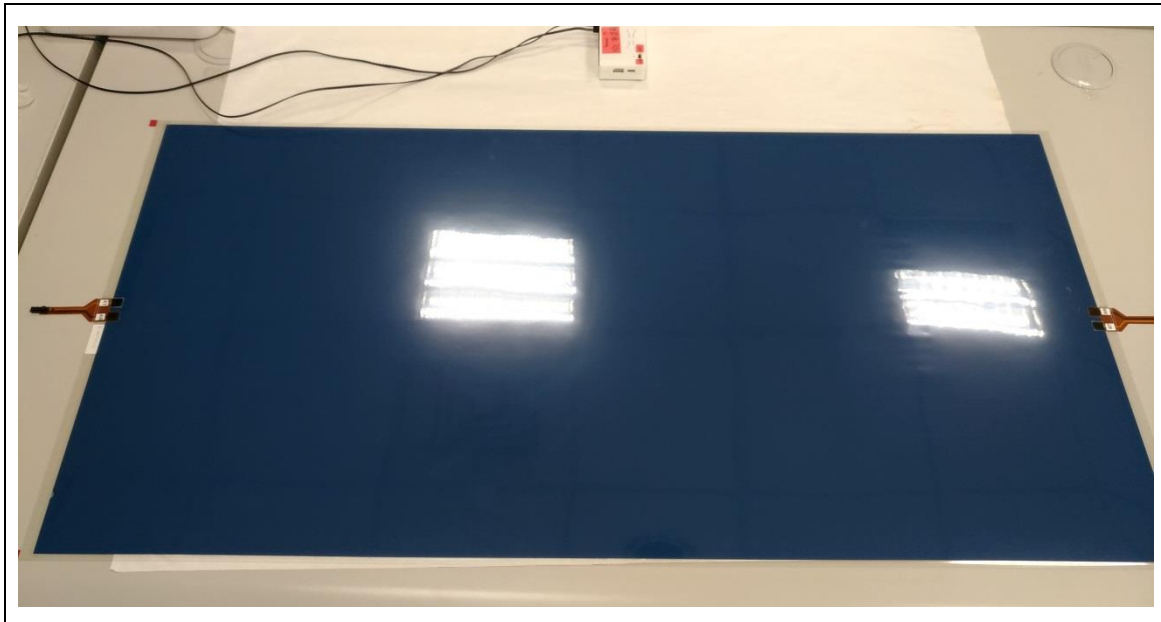
Prism Product Specification

Parameter	Specifications	Unit	Remark
Screen Size	39.6	Inch	
Segment	1	Seg	
Display colors	7	types	
Active Area	450.0 (H) × 900.0 (V)	mm	
Outline Dimension	460.0(H) × 920.0(V) × 2.31(D)	mm	
Module Weight	300	g	
Number of Gray	Continuous		
Display operating mode	Reflective mode		
FPL	E Ink Prism		

2 Hardware Guide

This section describes the hardware setup of the prism VENUS kit.

(1) HARDWARE REQUIREMENTS

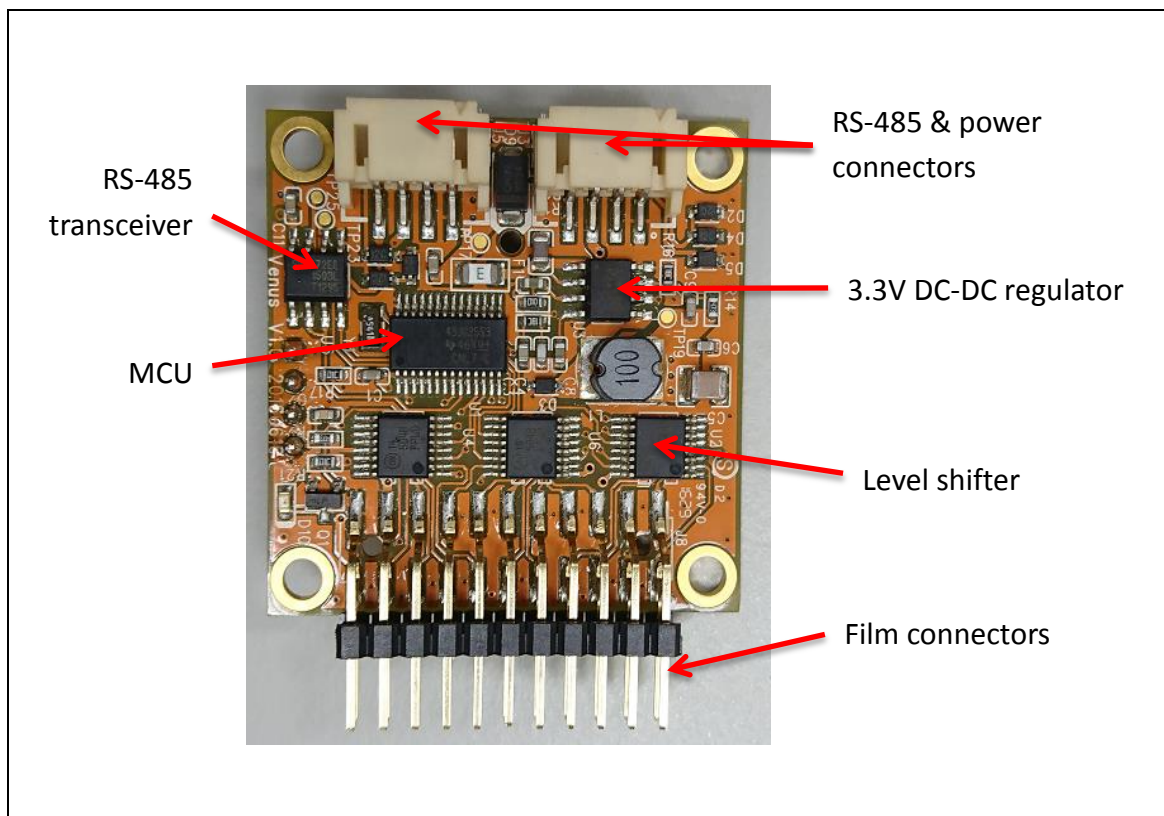


Prism product



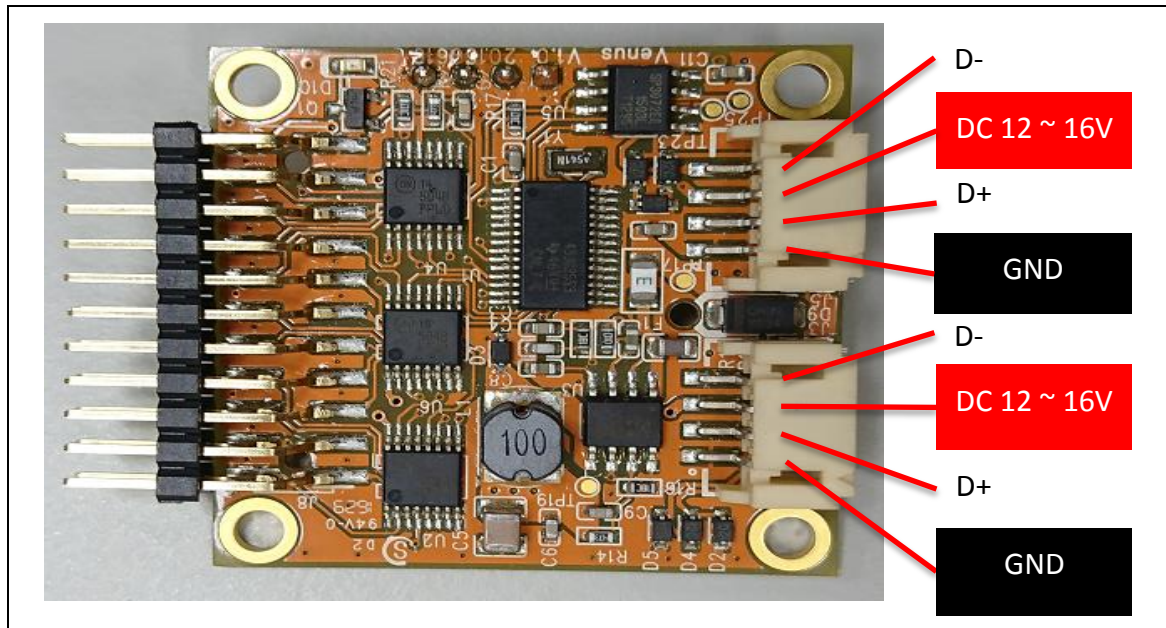
(2) VENUS Kit Hardware Description

The prism demo kit includes an VENUS board. The venus board (connector 1 or connector 401) and E Ink display panel are connected via a corresponding 15V DC adapter. The RS-485 and power connectors on the demo kit supplies data and power to the VENUS board. The film connectors connect prism product via wires to connect.

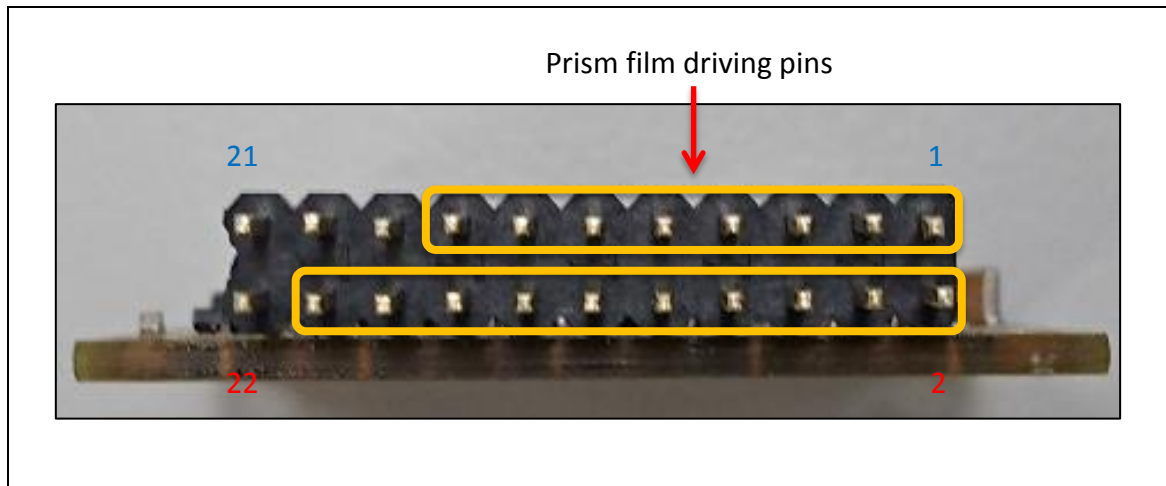


Power source and RS-485 connectors:

DC 12 ~ 16V via the either 4-pin bus connectors



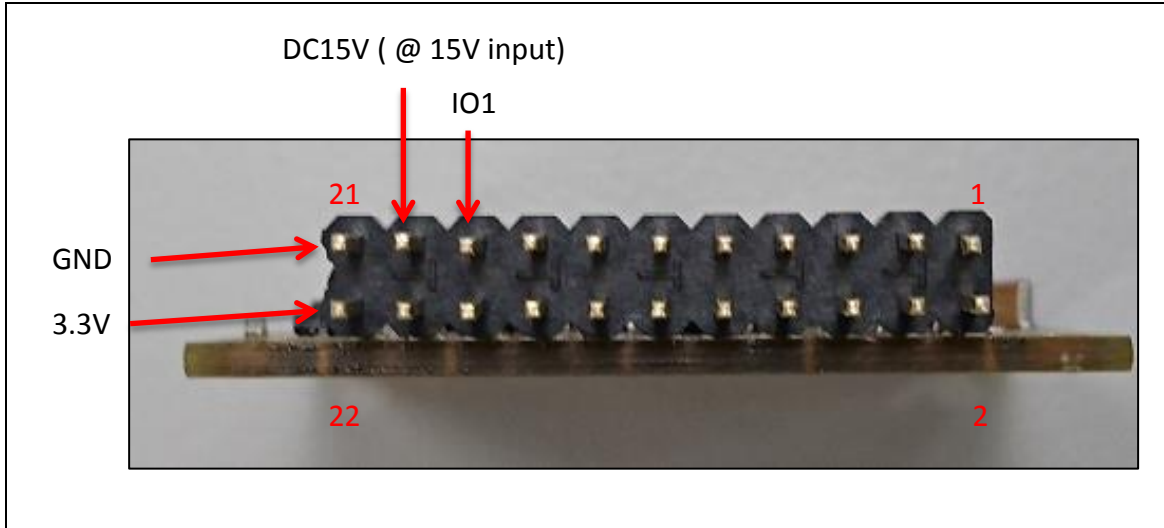
Prism product connectors:



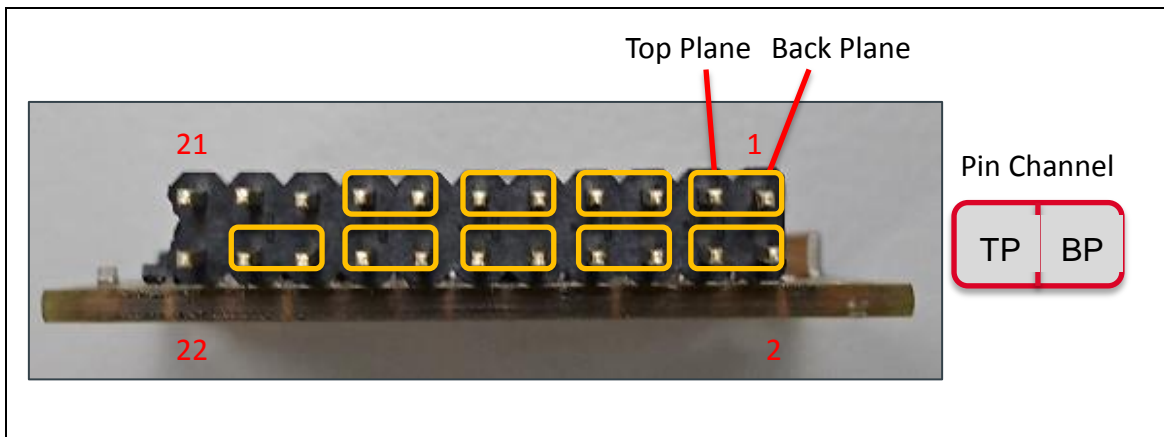
Extra pins:

Power source: DC15V, DC3.3V (200mA), GND

GPIO: IO1

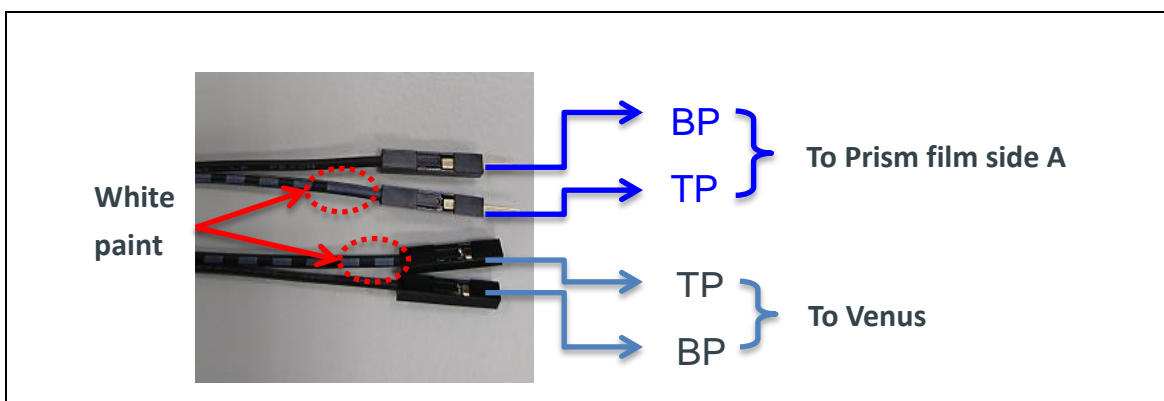
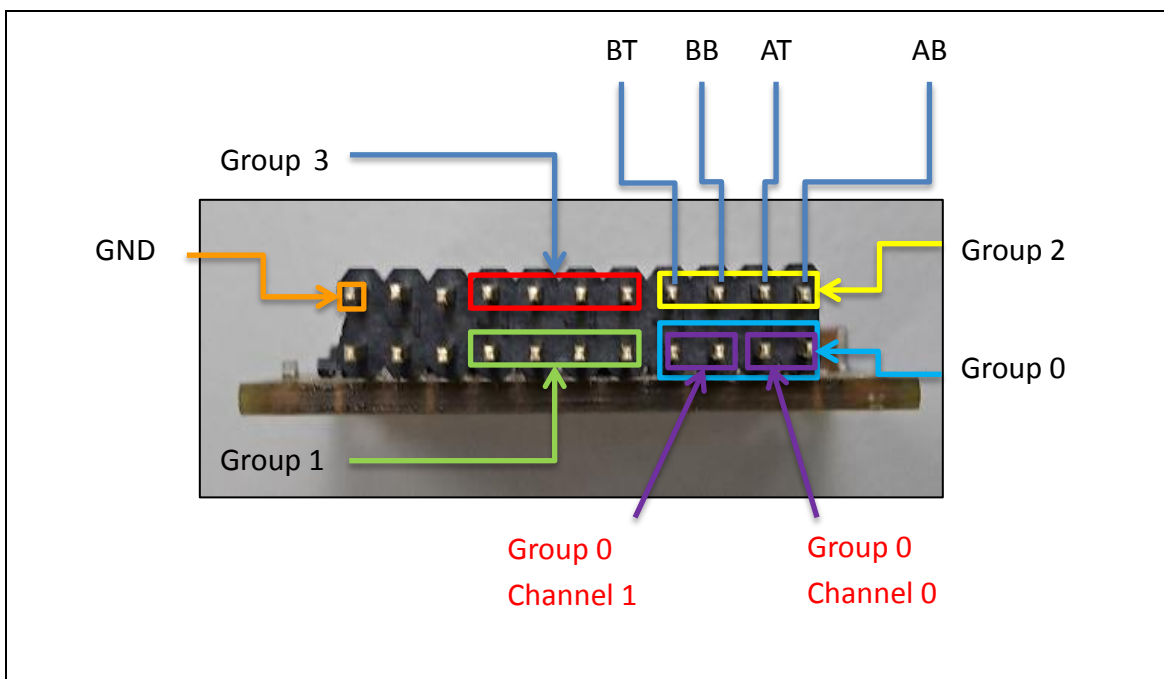
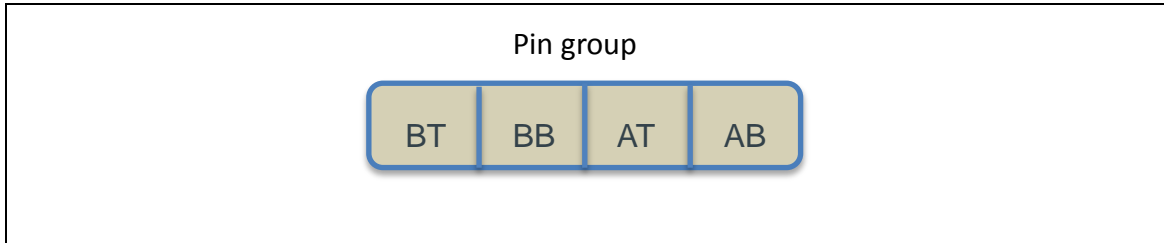


Two pins define to 1 channel.

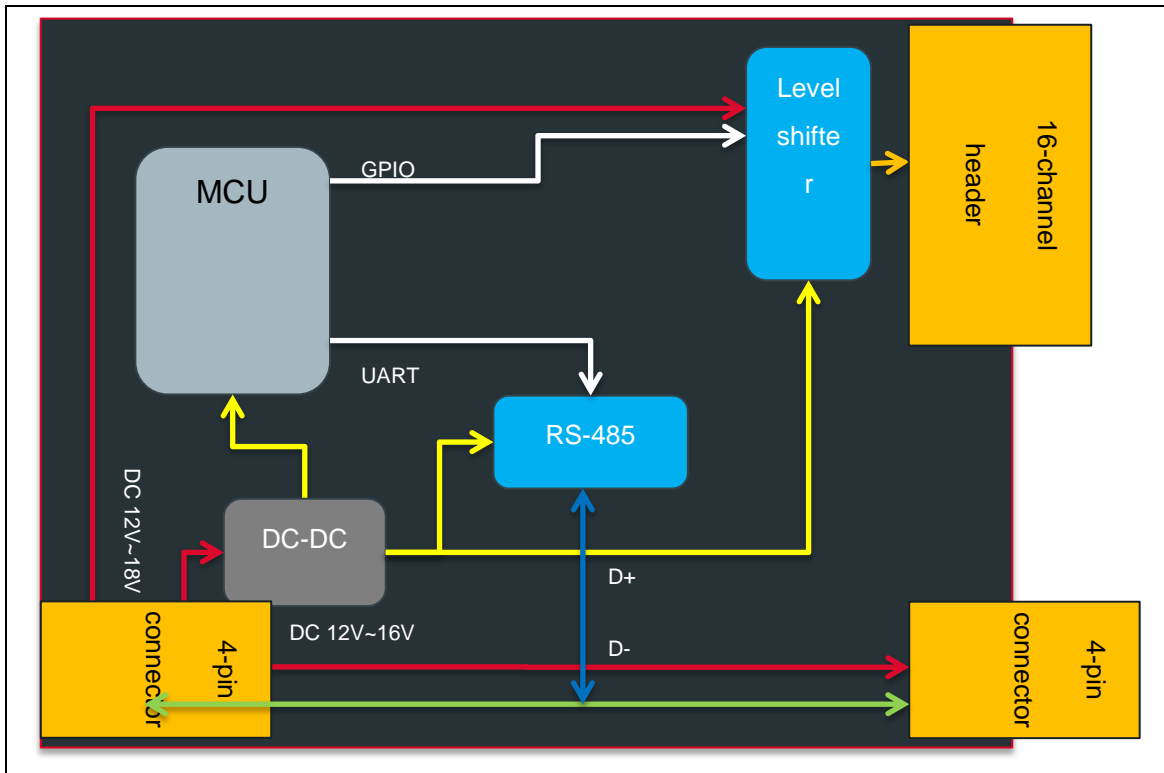


Two channels or 4 pins define to 1 group.

The pin assignment is below picture. There are 4 pins or 2 channel in the same group, totally have 4 group. Two pins will be a channel.

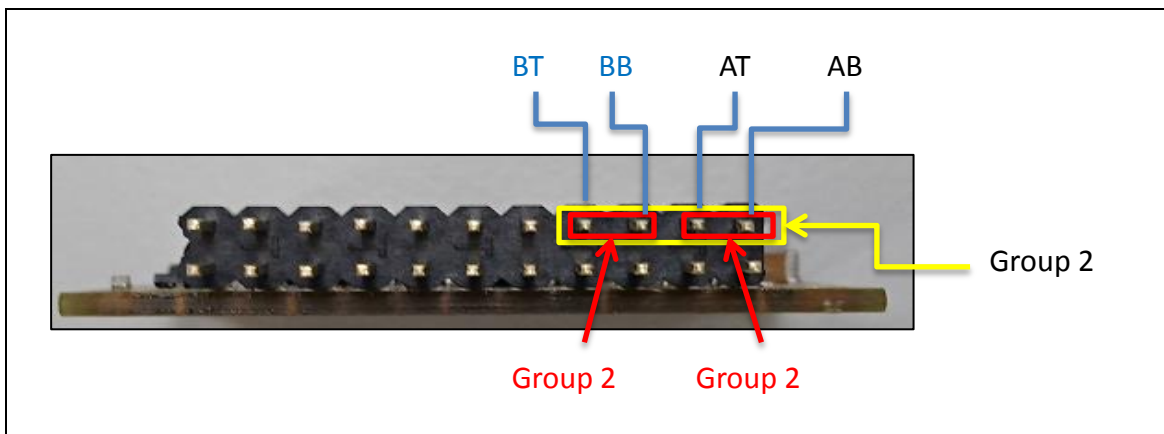


3 VENUS FUNCTION BLOCK

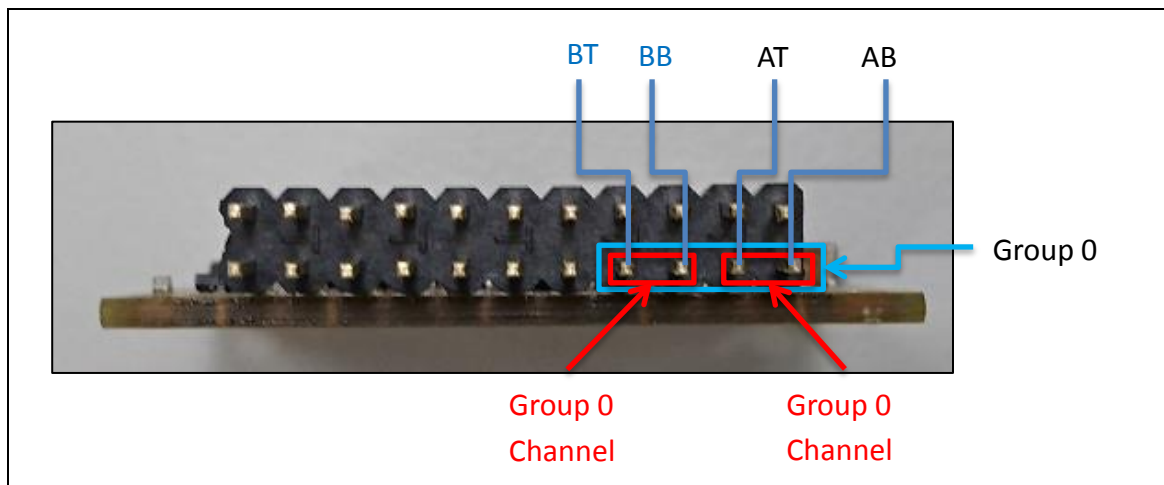


4 How to connect prism product and VENUS

(1) Prism product connection for blinking mode



(2) Prism product connection for waving mode



5 Contact Information

For more information, please visit

<http://www.eink.com>

For sales office addresses, please visit

http://www.eink.com/contact_sales.html

6 Legal Information

● Definitions

The document is a draft version only. The content is still under internal review and subject to formal approval which may result in modifications or additions. E Ink does not give any representations or warranties as to the accuracy or completeness of information included herein and shall have no liability for the consequences of use of such information.

- Right to make changes

E Ink reserves the right to make changes to information published in this document, including without limitation specifications and product descriptions, at any time and without notice.

- Suitability for use

Products described in this document are intended for development purposes only and comes without any warranty. E Ink accepts no liability for inclusion and/or use of E Ink products in commercial products or applications and therefore such inclusion and/or use is at the customer's own risk. In no event shall E Ink be liable for any direct, indirect, incidental, special, exemplary, or consequential damages (including, but not limited to, procurement of substitute goods or services; loss of use, data, or profits; or business interruption) however caused and on any theory of liability, arising in any way out of the use of the software.

- Applications

Applications that are described herein for any of these products are for illustrative purposes only. E Ink makes no representation or warranty that such applications will be suitable for the specified use without further testing or modification.

- No offer to sell or license

Nothing in this document may be interpreted or construed as an offer to sell products that is open for acceptance or the grant, conveyance or implication of any license under any copyrights, patents or other industrial or intellectual property rights.

- Trademarks

Notice: All referenced brands, product names, service names, and trademarks are the property of their respective owners.

- Revision History

Version	Date	Pag	Description	Author
0.1	2017/11/15		Initial	Benson Fan