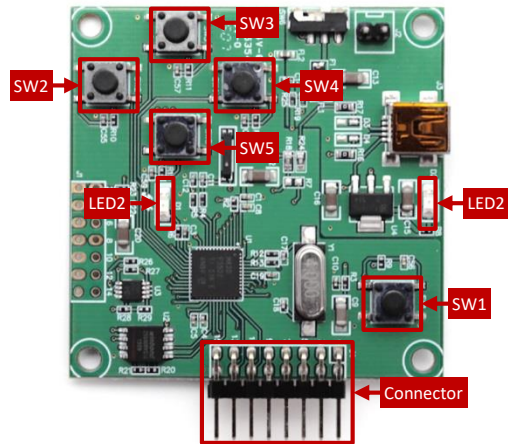


Eink Quick start guide for Hulk 1.1"

Panel and Hulk jig connection SOP

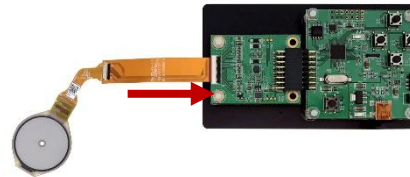
Demo Kit Hardware Description



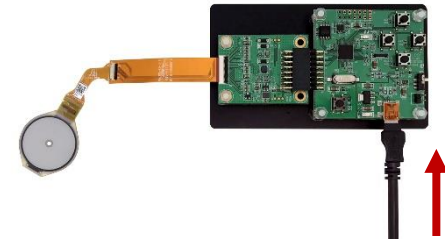
Button	Function
SW1	Reset
SW2	Display NEXT image
SW3	Slide Show Mode
SW4	Display PREVIOUS image
SW5	Display White/Black image

Assembly and Operating Instructions

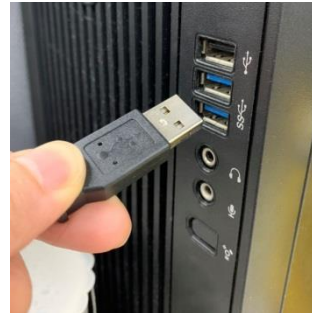
① Attach the 1.1" panel to Hulk



② Connect the mini-USB to Hulk



③ Connect the mini-USB to USB power



④ press **SW2** Display NEXT image

⑤ press **SW3** Slide Show Mode

⑥ press **SW4** Display PREVIOUS image

⑦ press **SW5** Display White/Black image

Disassembly Instructions

① Disconnect the mini-USB from USB power

② Disconnect the mini-USB from Hulk

③ Detach the 1.1" panel from Hulk