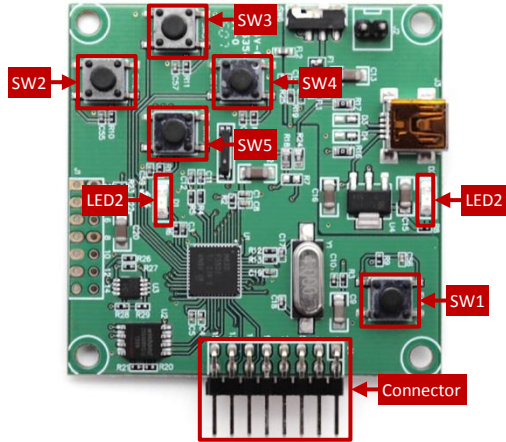


Panel and HULK EVK Connection SOP

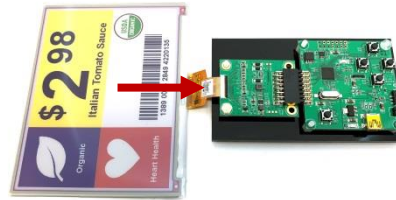
Demo Kit Hardware Description



| Button | Function |
|--------|-----------------|
| SW1 | Reset |
| SW2 | Next image |
| SW3 | White image |
| SW4 | Previous image |
| SW5 | Slide Show Mode |

Assembly and Operating Instructions

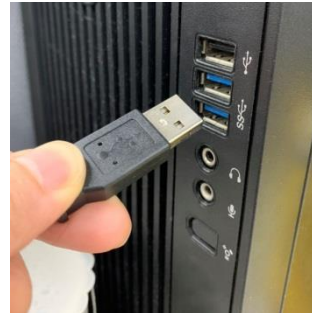
① Attach the 5.65" panel to Hulk



② Connect the mini-USB to Hulk



③ Connect the mini-USB to USB power



④ Press **SW2** Next image

⑤ Press **SW3** White image

⑥ Press **SW4** Previous image

⑦ Press **SW5** Slide Show Mode

Disassembly Instructions

① Disconnect the mini-USB from USB power

② Disconnect the mini-USB from Hulk

③ Detach the 5.65" panel from Hulk