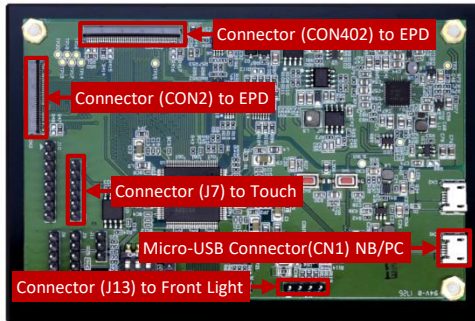


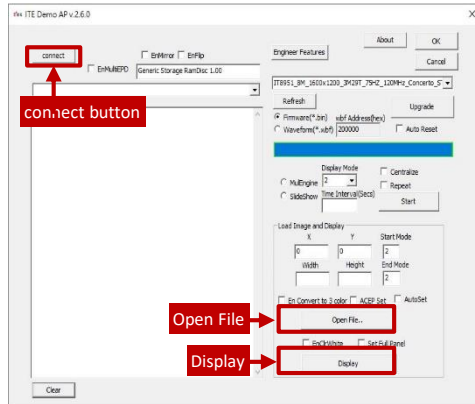
# Eink Quick Start Guide for Concerto 13.3" Kaleido

## Panel and Concerto jig connection SOP

### Demo Kit Hardware Description

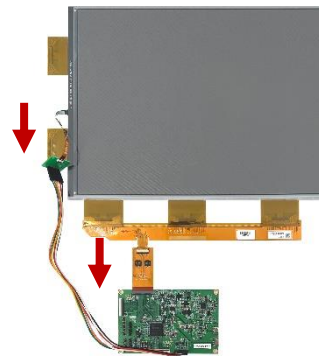


Button/Option	Function
Connect	Check USB connection
Open File	Load image and display panel
Display	Image review

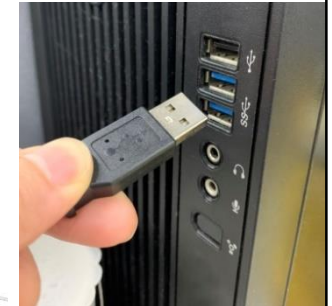
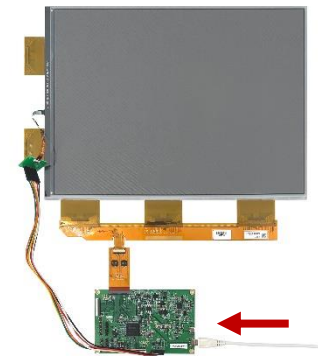


### Assembly and Operating Instructions

① Attach the 13.3" panel to Concerto Connector 402 & FL



② Connect micro USB cable to Concerto CN1 and PC/NB USB port.



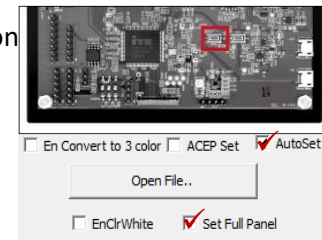
③ Press **SW2** button for front light function

④ Click **connect** button

⑤ Click **AutoSet & Set Full Panel** option

⑥ Click **Open File** to select image

⑦ Click **Display** to show image



### Disassembly Instructions

① Disconnect the micro-USB cable from PC/NB

② Disconnect the micro-USB cable from Concerto

③ Detach the 13.3" panel from Concerto